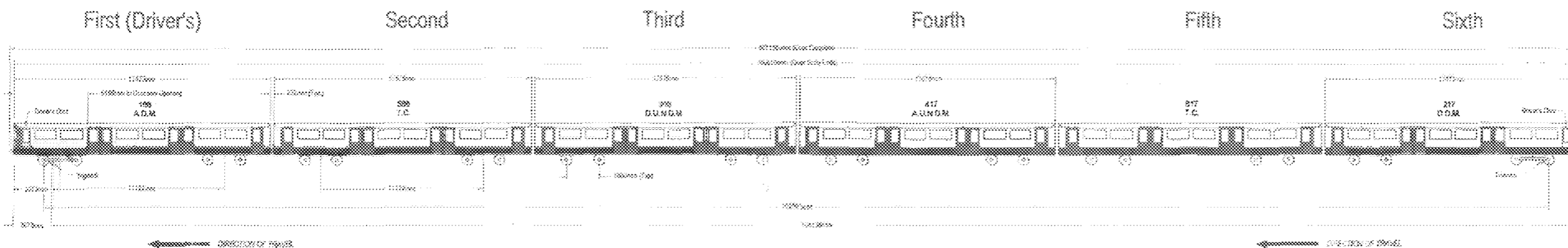


RESTRICTED - CRIME

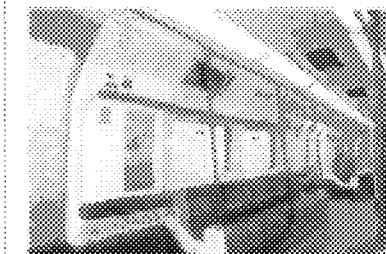


1973 TUBE STOCK - 6 CAR TRAIN
 PICCADILLY LINE

NO DIMENSIONS
 ARE TO BE
 SCALED FROM
 THIS DRAWING

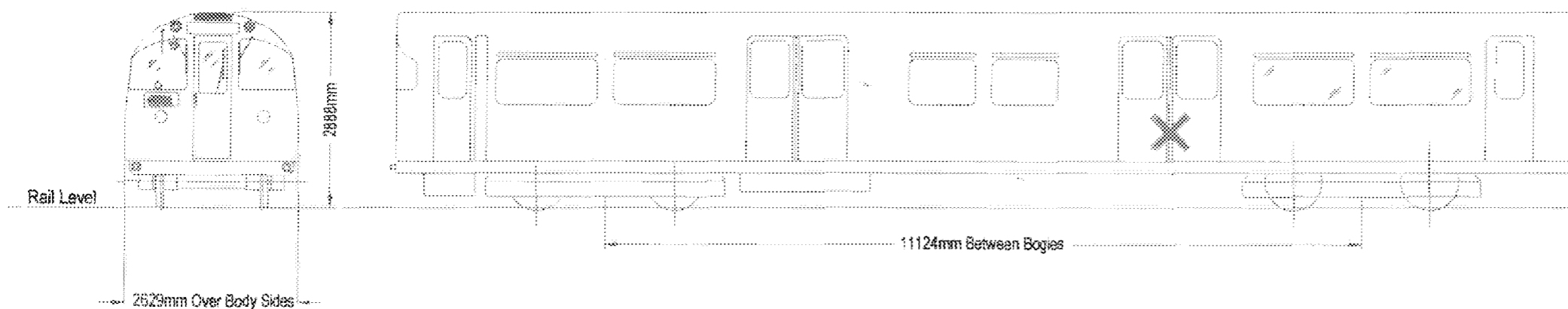


NOTES



Example of Interior

1973 TUBE STOCK - PICCADILLY LINE



MOTOR CAR (ADM & DDM)

**RESTRICTED
 CRIME**

FOR POLICE USE ONLY
 Drawing Details Supplied by
 London Underground Ltd.

© THE METROPOLITAN POLICE AUTHORITY

**COMPUTER AIDED
 MODELLING BUREAU**

PROPERTY SERVICES

SUBJECT
 Operation Theseus

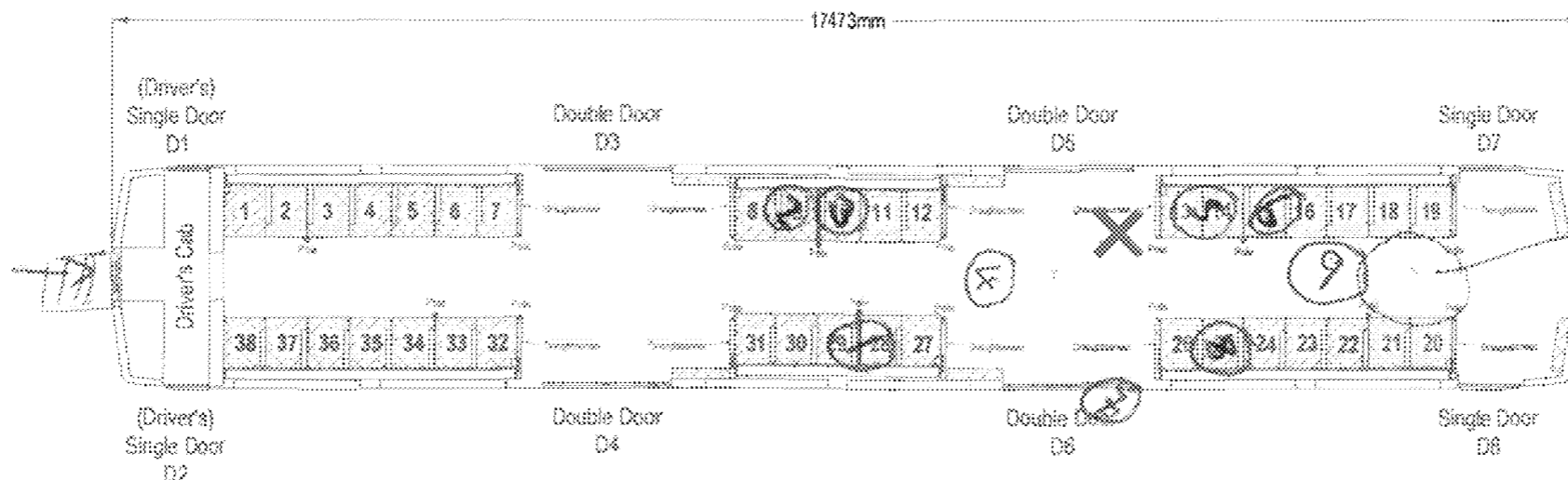
JOB NAME AND ADDRESS
 Kings Cross to Russell Square
 Piccadilly Line Train
 Seating Plan

FIRST CARRIAGE (DRIVER'S)

SCALES AT A3 SHEET SIZE DATE
 Not to Scale Aug 2005

DRAWING No.
 RS 1 / 036 / 2005

First Carriage
 (Driver's)



DIRECTION OF TRAVEL
 X Cross Denotes Position of Explosion

*Hide in
 floor
 * raf
 above*